



Model: LM-MR16-5630X15K30

Base: MR16

Voltage: 12V DC

Output: 5W

Energ: A+

Kelvin: 3000K

Lumen : 380LM

CRI: ≥ 80 Ra

Life Span: 25000h

Switch life : 12500

Beam Angle: 110°

LED Chip: 5630

LED QTY: 15

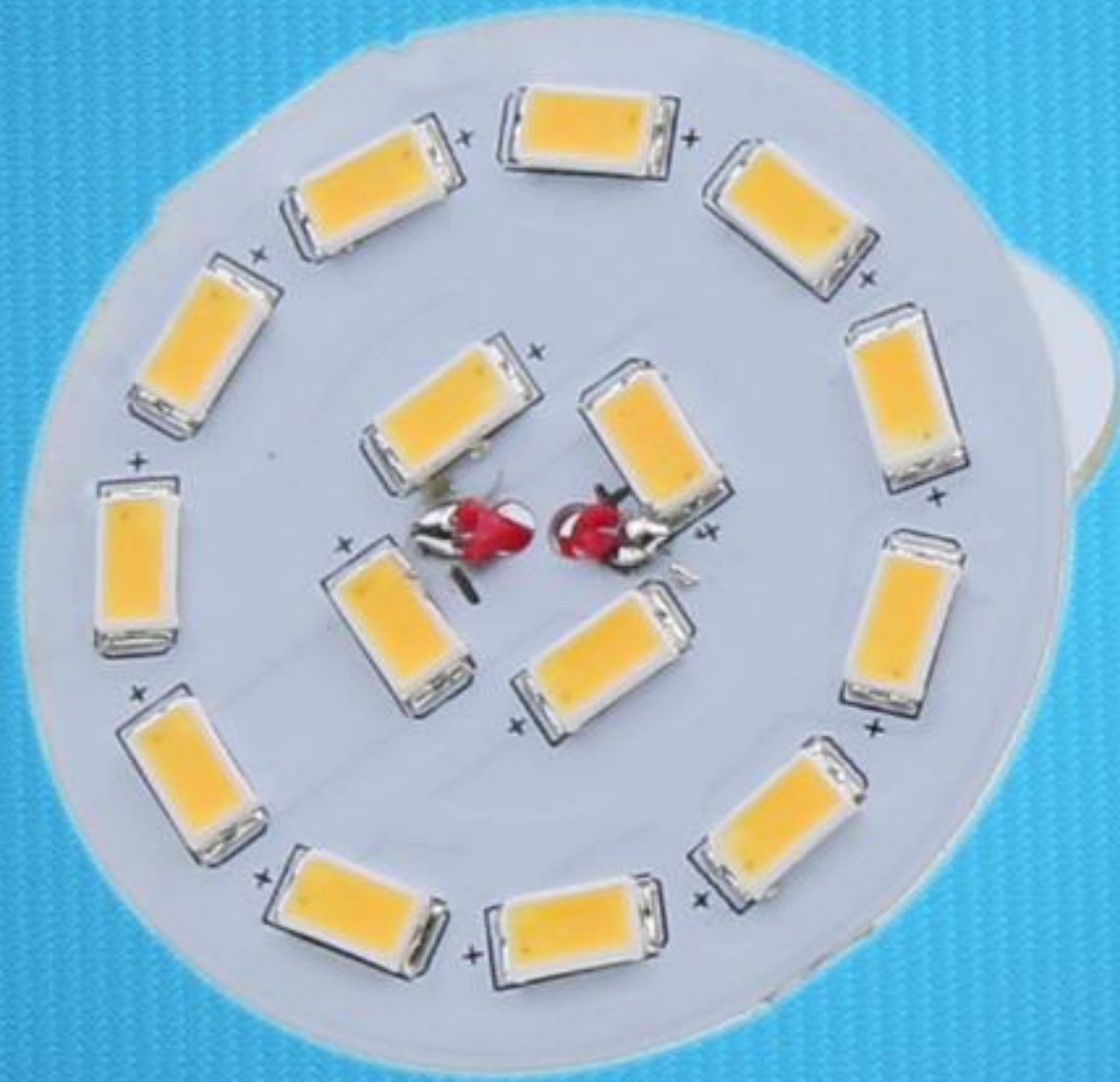
Reflector: Ceramic

Lens: Glass

Seitronic®



Seitronic[®]

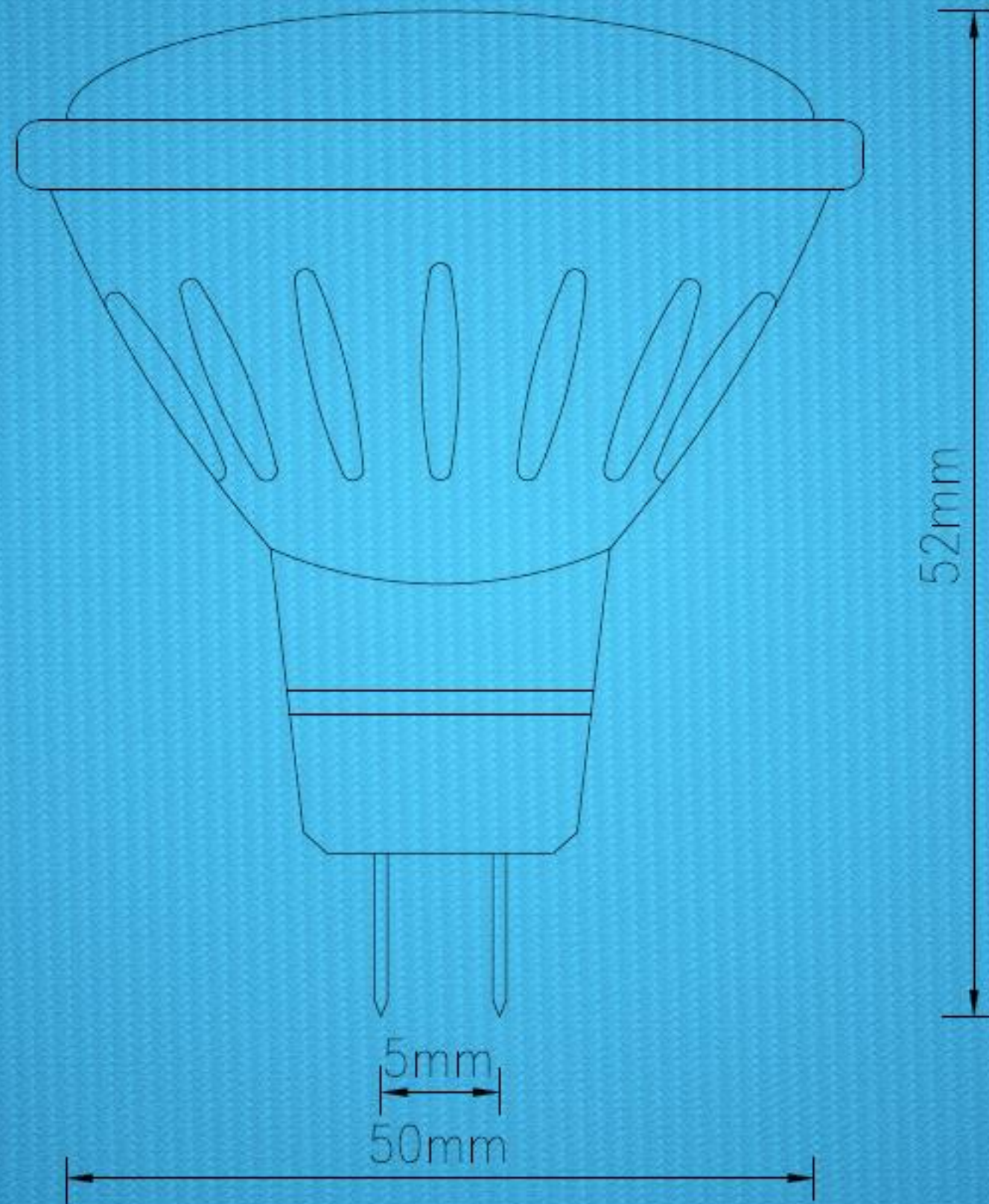


LED Chip

15 Pcs Super
Bright LED



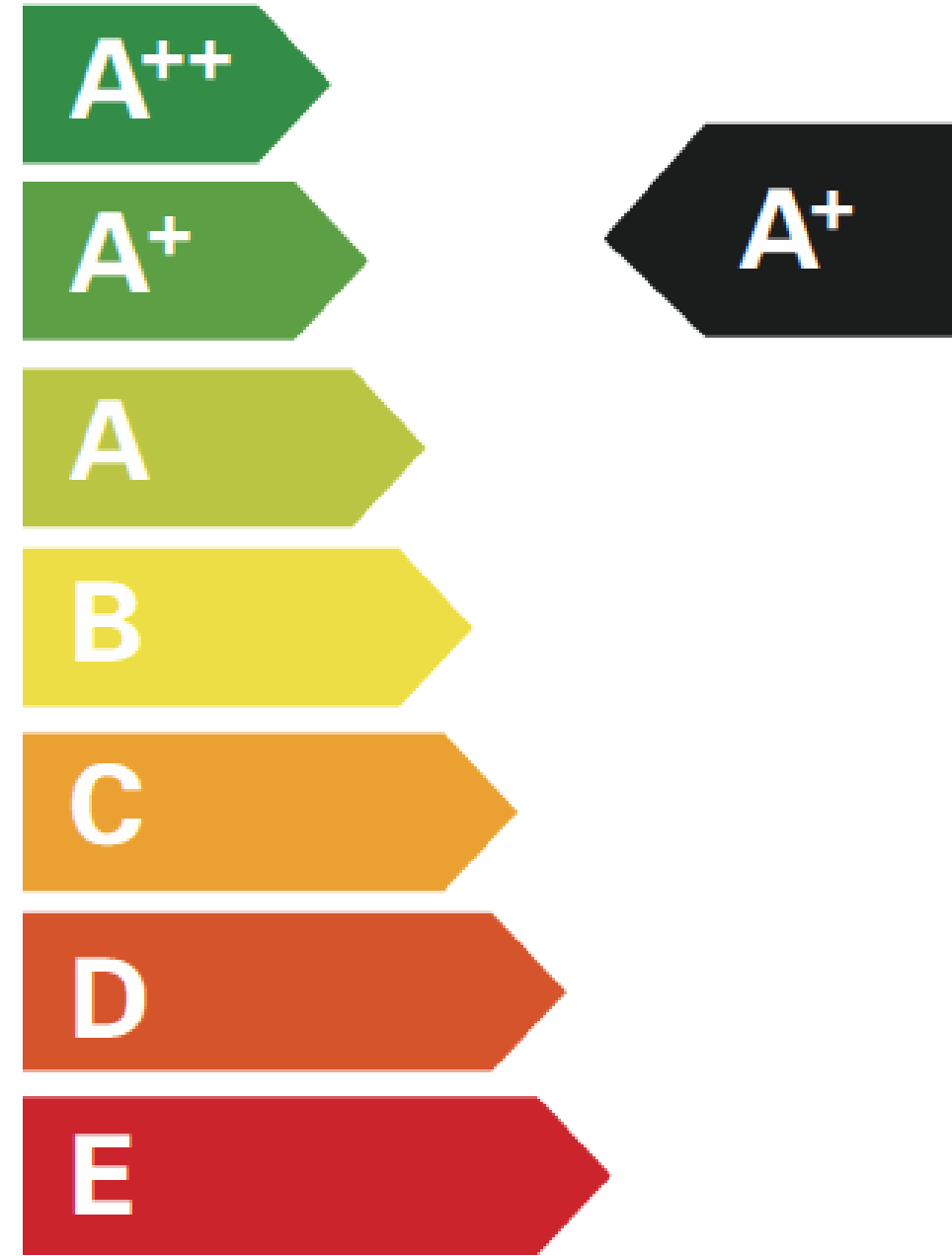
Reflector:
Ceramic





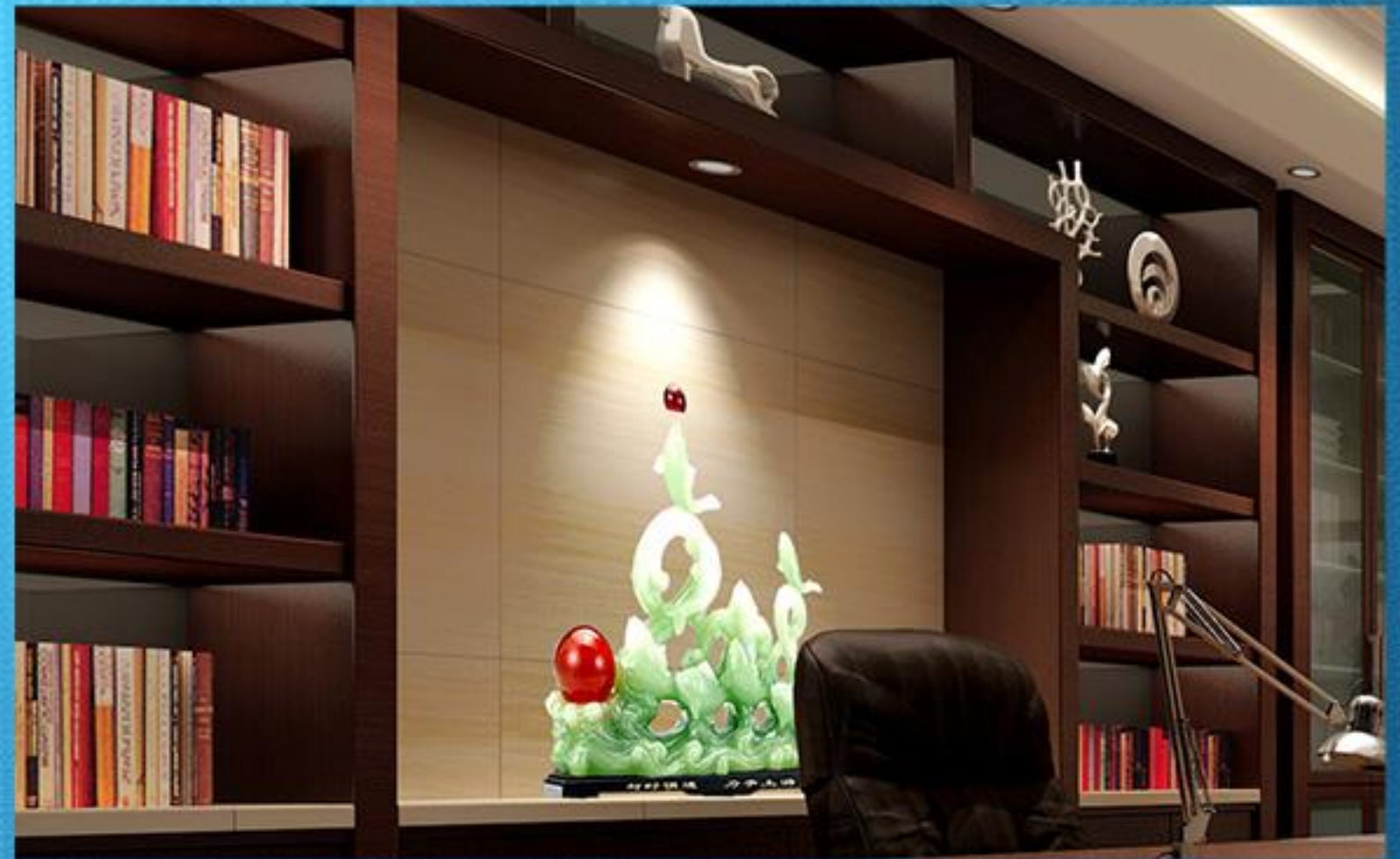
ENERG Y IJA
IE IA

енергия + ενεργεια



4.95 kwh/1000h

Results show



Seitronic®