



Model: LM-MR16-5630X15K65

Base: MR16

Voltage: 12V DC

Output: 5W

Energ: A+

Kelvin: 6500K

Lumen : 400LM

CRI:  $\geq 80$ Ra

Life Span: 25000h

Switch life : 12500

Beam Angle: 110°

LED Chip: 5630

LED QTY: 15

Reflector: Ceramic

Lens: Glass

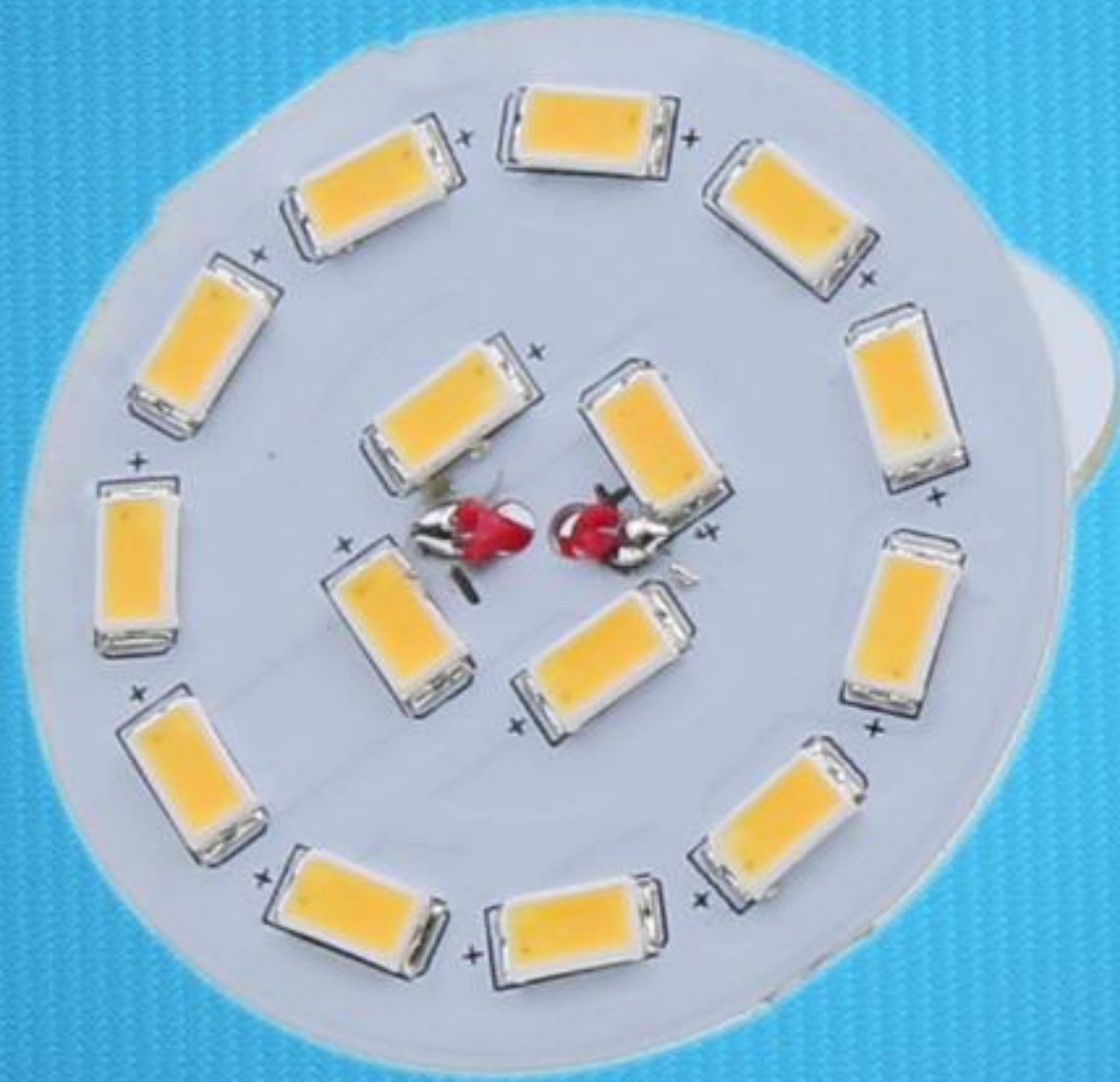
**Seitronic**®





**Seitronic**<sup>®</sup>





## LED Chip

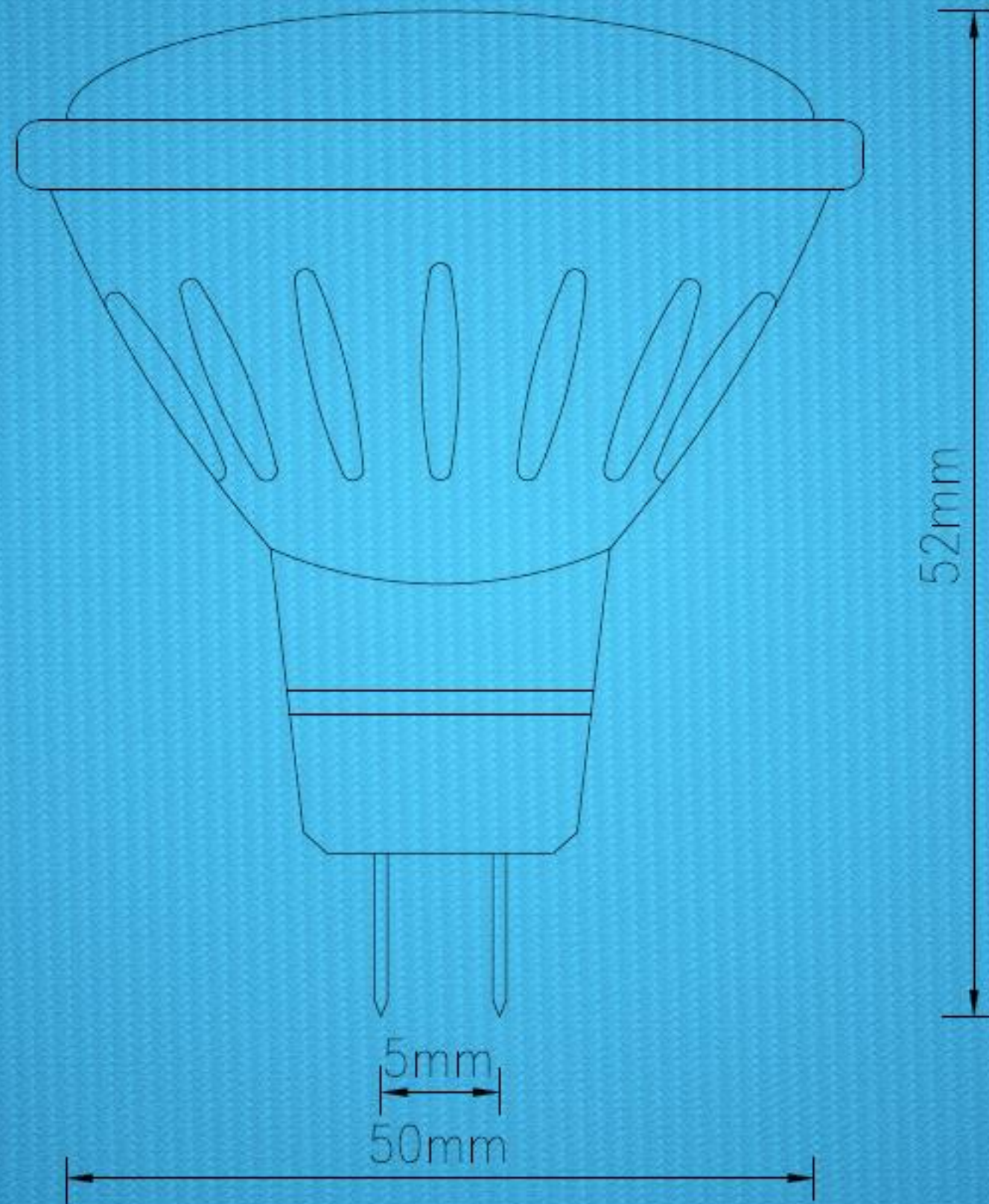
15 Pcs Super  
Bright LED





Reflector:  
Ceramic



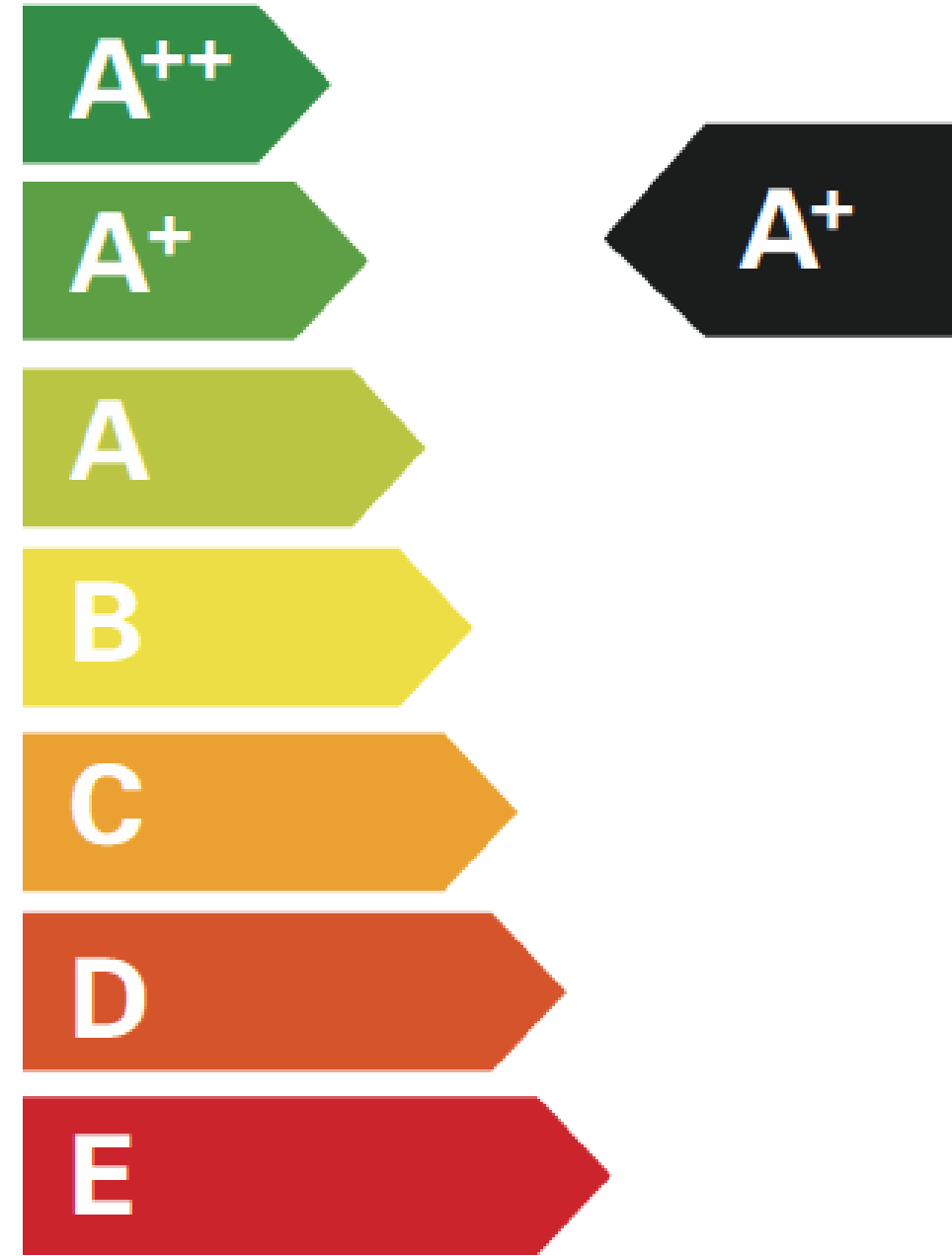






ENERG Y IJA  
IE IA

енергия + ενεργεια



4.95 kwh/1000h



Results show



Seitronic®